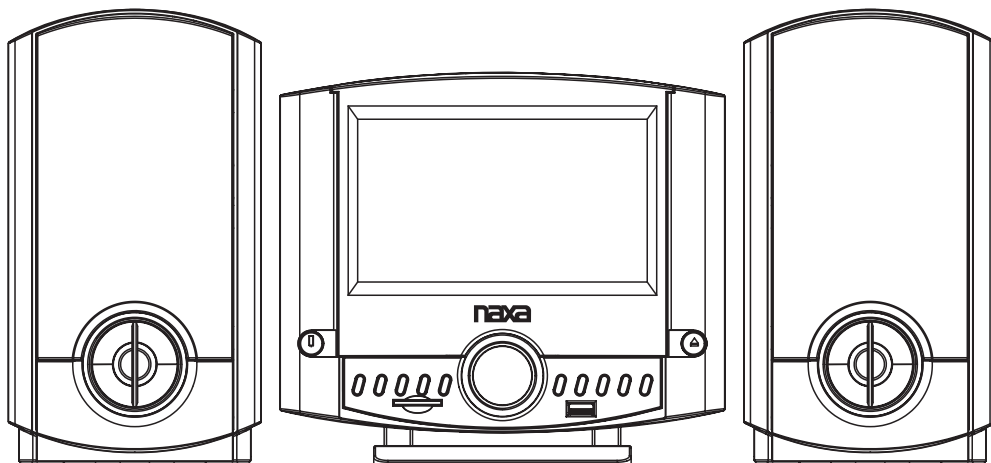




Operating Manual

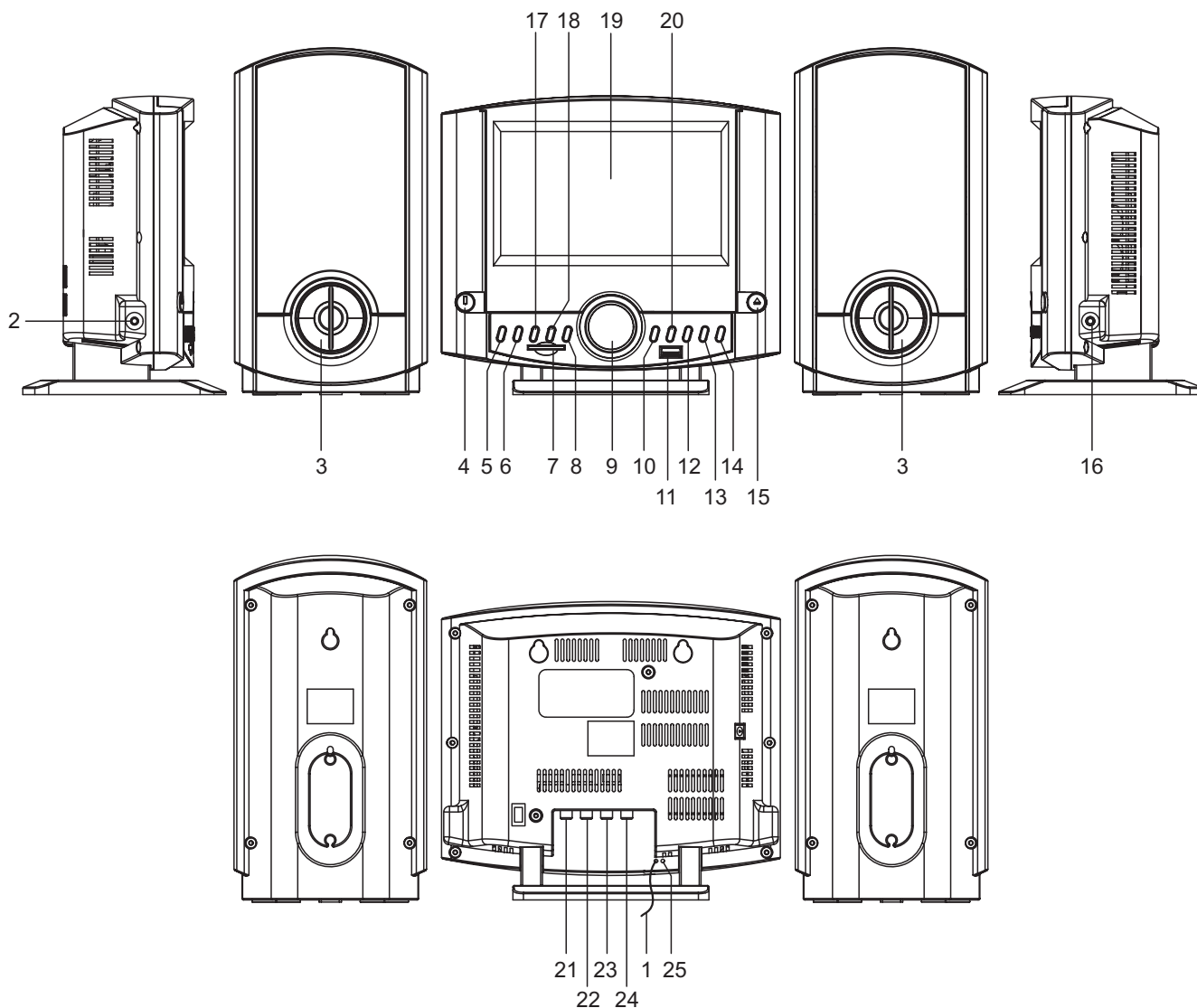
**7" Motorized DVD Micro System
with AM/FM Radio, USB & SD inputs**

Model: NDL-431



READ THESE INSTRUCTIONS INCLUDED IN THIS IM THOROUGHLY PRIOR TO CONNECTING AND OPERATING.
PLEASE RETAIN THIS MANUAL IN CASE YOU MAY NEED IT FOR FUTURE REFERENCE.
THE ILLUSTRATIONS & GRAPHICS HEREIN ARE FOR REFERENCE ONLY AND SUBJECT TO CHANGE WITHOUT NOTICE.

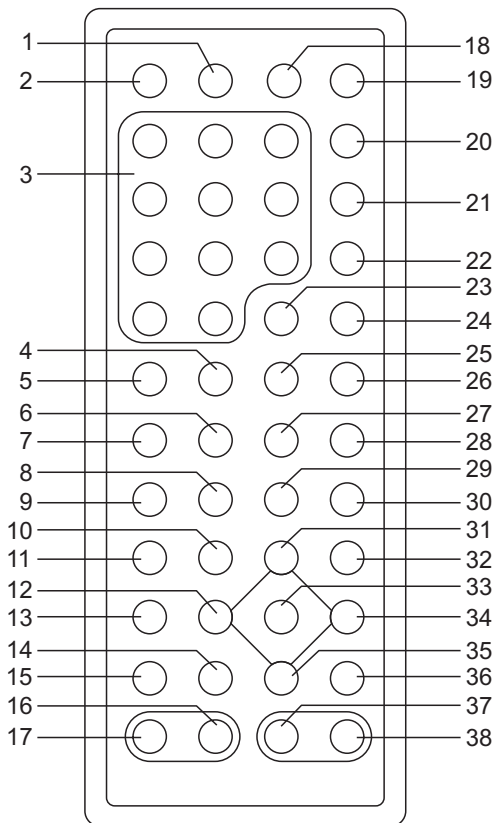
OVERVIEW OF THE DVD PLAYER:



- 1. AC CORD
- 2. A/V OUT JACK
- 3. SPEAKERS
- 4. STANDBY KEY
- 5. REMOTE SENSOR
- 6. FUNCTION KEY
- 7. SD/MMC CARD SLOT
- 8. VOLUME+/RIGHT KEY
- 9. LCD DISPLAY
- 10. PREV/DW/MIN KEY
- 11. USB PORT
- 12. MODE/EQ/CLOCK/STORE KEY
- 13. PLAY/PAUSE/PRESET KEY

- 14. STOP/BAND/USB/CARD KEY
- 15. DISC COVER OPEN/CLOSE KEY
- 16. PHONES JACK
- 17. SLEEP/ALARM/SET KEY
- 18. VOLUME-/LEFT KEY
- 19. DISPLAY
- 20. NEXT/UP/HOUR KEY
- 21. RIGHT SPEAKER OUT JACK
- 22. LEFT SPEAKER OUT JACK
- 23. RIGHT AUX IN JACK
- 24. LEFT AUX IN JACK
- 25. FM ANTENNA

REMOTE CONTROL UNIT



1. INFO button
2. OPEN/CLOSE button
3. NUMERIC buttons
4. TITLE button
5. P/N button
6. ANGLE button
7. AUDIO button
8. ALSET button (ALARM SET button)
9. CLOCK button
10. SUBTITLE button
11. BAND button
12. NAVIGATION LEFT / M- button
13. EQ button
14. NEXT & F.FWD button
15. PREVIOUS & F.BWD button
16. TUNE/UP button
17. TUNE/DOWN button
18. MENU button
19. STANDBY button
20. FUNCTION button
21. DVD/USB/CARD button
22. SETUP button
23. SEARCH button
24. PROGRAM button
25. STOP button
26. PLAY/PAUSE button
27. ZOOM/SLOW button
28. REPEAT button
29. BUZZER button
30. STORE button
31. NAVIGATION UP button
32. SLEEP button
33. OK button
34. NAVIGATION RIGHT / M+ button
35. NAVIGATION DOWN button
36. MUTE button
37. VOL- button
38. VOL + button

CONNECT DVD PLAYER TO OTHER APPLIANCES

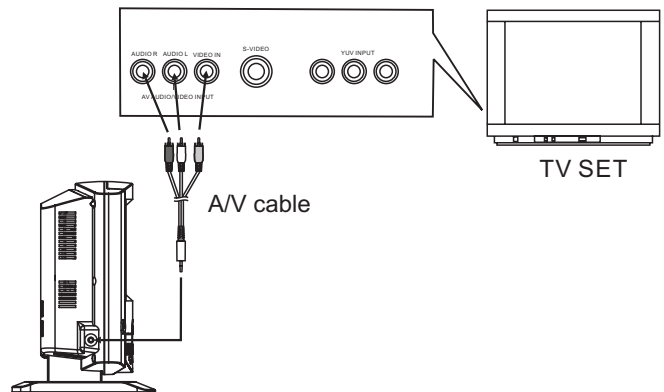
It is recommended you connect the player to a multi-system TV.

Ensure that this player and other appliances (TV set and amplifier) that will be connected to the player are set to OFF mode and that the AC cord are disconnected from the wall outlet.

Avoid blocking ventilation holes of the connected appliances and make sure air around there can circulate freely.

Read carefully and follow the instructions before connecting other appliances.

Ensure that you observe the color coding when connecting audio, video cables. If the RCA adapter is supplied only, the audio/video RCA cable is required. Plug one end of the RCA adapter to the unit. Then connect the audio/video RCA cable to the RCA adapter and the television.



After connection is firm and securely done, plug AC cord to an applicable wall outlet and turn on the player.

OPERATIONS

PREPARATION

Power on the TV set and select video input mode.

Power on the audio system which is connected to the player.

GET STARTED

1. Press STANDBY key to turn on the player. Press FUNCTION button repeatedly to switch to DVD mode.
2. Press disc cover Open/Close button to open the disc tray.
3. Place a disc onto the disc tray.
4. Close the disc tray via disc cover Open/Close key and the playback starts automatically.
5. When a menu screen appears on the TV, press the navigation buttons or press the numeric buttons to select a preferred track number, then press OK button to start playback.

ADJUST THE VOLUME

Press VOLUME+/- button to increase or reduce the volume with volume value indicated on the small LCD during playback.

MUTE

While the power is on, the audio output of the main unit is to be shut off by pressing the button. Press it again or press VOLUME+/- button to resume sound output.

SKIP AHEAD OR BACK

Press PREV button during play to skip previous chapter (DVD) or a track (CD), Press NEXT button during play to skip next chapter (DVD) or a track (CD).

RAPID ADVANCE/REVERSE

During playback, press and hold PREV/DW/MIN button or NEXT/UP/HOUR button on the unit or NEXT/PREVIOUS button on the remote to scan the disc forward or backward at X2, X4, X8, X20 normal speed.
Press PLAY button to resume normal play.

EQ SELECTION (DVD/RADIO/AUX)

Press EQ button on the unit or press and hold MODE/EQ/CLOCK/STORE button on the unit continuously during playback mode to select EQ sound effects among ROCK, POP, JAZZ, CLASSIC.

TV SYSTEM

During playback, press P/N button to change switch the TV system directly.

STOP PLAYBACK

Press STOP button during playback to stop playback; the player activates its resume function when STOP is pressed in STOP mode; press PLAY/PAUSE button again, playback resumes at the point it stopped previously; open the disc tray or press the STOP button one more time to clear the resume function.

SLOW-MOTION PLAY (DVD)

Press and hold SLOW button repeatedly during playback, the disc will be played at 1/2 normal speed at first, each time this button is pressed, the play speed becomes slower (down to 1/7 normal speed.)
Press PLAY/PAUSE button, normal play will resume.

REPEAT

Press REPEAT button on the remote or MODE/EQ/CLOCK/STORE button on the unit during play, it will repeat play one chapter/title or repeat all (for DVD disc), or repeat play a track or all tracks (for CD), or repeat the sections between two specific points (A-B).

SEARCH FOR PREFERRED SCENE

1. Press SEARCH button during play and highlight the item to be played (Title, Chapter, or Chapter time) by navigation buttons.
2. Input the desired number or time via the numeric buttons.
3. Press OK button to confirm and the playback from the located scene starts.
4. To exit search menu, press SEARCH button directly.

PROGRAM PLAY (UP TO 16 MEMORIES)

1. Press PROGRAM during playback to display the program menu.
2. Select location(s) to be memorized via navigation buttons and then enter desired Titles/Chapters numbers via numeric buttons.
Example: Track 3, press "3"
Track 12, press "+10" button and then "2"
Track 21, press "+10" button twice and then "1"
3. To start programmed playback, select PLAY on the menu; pressing PROGRAM button again to exit programming.
4. To change programmed items, scroll the navigation button to the item to be changed and enter the desired track number on the screen, the selected item will be changed. To clear all items, select the <CLEAR> on the menu, and then press OK button on remote control.
5. You can also cancel program mode by clearing all the items in the program menu.

ZOOM PLAY

Press ZOOM button continuously to zoom in the picture by 2, 3, and 4 times, zoom out by 1/2, 1/3, 1/4 normal size.
Press this button once more when the picture is at 1/4 size to return to the normal size display.
Scroll to view the enlarged picture using Navigation buttons.

ON SCREEN DISPLAY INFORMATION

When the player is in operation, press INFO button continuously, the screen will display parts of information (current disc type, title number, chapter number, playtime, audio language, audio type, subtitle language and multi angle, etc) in a sequence.

CHANGING AUDIO SOUNDTRACK LANGUAGE (DVD DISC)

It is possible to change the audio soundtrack language to a different language from the one selected at the initial settings (This operation works only with discs on which multiple audio soundtrack languages are recorded).
Press AUDIO button during DVD disc play, the sound track will be changed with a selected sound track showing on the screen.
NOTE: When no soundtrack languages are recorded, pressing this button will not work.

MULTI-ANGLE VIEWING (DVD ONLY)

Press ANGLE button to select your desired angle to view the scene.
Note: only the DVDs shot with multi-angle scenes have this function.

CHANGING SUBTITLE LANGUAGE (DVD ONLY)

Press SUBTITLE button several times during DVD playback, the subtitle language will be changed with the selected subtitle language showing on the screen;
When the desired language appears, release the button to view the subtitle in that language.
Note: this function only works on the DVDs recorded with multi-language subtitles.

RETURN TO MAIN MENU AND PLAY THE TITLE (DVD)

During playback, press MENU button to return to main menu and press TITLE button to play the title.

MP3/MPEG 4/WMA PLAYBACK

1. Load the MP3/MPEG 4/WMA disc onto the disc tray, then a media menu show on the screen, select a corresponding media type (picture, audio, video) to play loaded the disc with navigation left/right button and press OK Button to confirm. Then the TV screen will show folders of the selected media type on the disc.
2. Select the folder you want by the navigation buttons and then press OK button to confirm.
3. The files in this folder are displayed and select your favourable track via navigation buttons and press ok button to start playback.
4. Press NEXT and PREV button to select track directly.
5. Press REPEAT button on the remote or MODE button on the unit change play mode.

KODAK PICTURE CD / JPEG CD PLAYBACK

Load a Kodak picture CD/JPEG CD disc onto the disc tray, then select picture option to play the disc with navigation left/right button and press OK Button to confirm.

Slide show of Kodak Picture CD begins automatically; Folders of JPEG picture CD are displayed on the TV screen; use the navigation buttons on the remote to select the desired folder and then press OK button to confirm.

The files in this folder are displayed and you can select your favourable pictures using the up/down navigation buttons on the remote and press OK button to start playback.

Preview of the picture and the corresponding information of the picture (resolution, size, date) will be displayed while you scroll across the file names.

KODAK PICTURE CD / JPEG CD OPERATIONS

1. PLAY MODES

Press REPEAT button to change play mode.
During playback, press STOP to enter preview mode.

2. SKIP TO NEXT/PREVIOUS PICTURE

Press NEXT button to skip to the next picture or PREV button to the previous picture.

3. PICTURE ROTATIONS

Press RIGHT and LEFT navigation buttons on the remote to rotate the picture Clockwise and anti-clockwise respectively.

4. PICTURE FLIP AND TURN

Press UP navigation on the remote button to flip the picture up or down.

Press DOWN navigation button on the remote to flip the picture left or right.

5. PICTURE ZOOM IN/OUT

Press ZOOM button continuously, the picture zooms in by 2, 3, 4 times or zooms out by 1/2, 1/3, 1/4 the original size. Press this button once more when the picture getting 1/4 size to return to the normal play.

If the picture is enlarged, you may use the navigation buttons to view blocked parts of the picture.

6. SLIDE SHOW TRANSITION MODES

During slide show playback, press the PROGRAM button cyclically to select one slide show transition effect to play picture.

EXTERNAL MEMORY MEDIA OPERATION (USB&SD/MMC CARD)

Prepare the player for External Memory media operation

1. Power on the unit, Insert a USB data traveller filled with media files into the USB port or plug the SD/MMC card into the card slot, the USB or the SD/MMC card is successfully detected , select a corresponding function via navigation right/left button for play and press OK Button to confirm. Folders show on the screen and use navigation buttons to select your desired folder and track to play.

2. Press NEXT or PREVIOUS button to skip forward or backward.

Note: Press DVD/USB/CARD button on the remote or press and hold STOP button on the unit to pop up the source menu and use navigation RIGHT/LEFT button on the remote or VOL-/ + button on the unit to scroll among disc, USB and card, finally use OK button to confirm on the remote or PLAY/PAUSE button on the unit the selection.

INITIAL SETTINGS

Initial settings page is for you to make your preferred settings up for your player. Once the initial settings are done they are retained in the CPU of the player until otherwise modified.

COMMON PROCEDURES FOR INITIAL SETTINGS

1. Press SETUP button.
2. Use the navigation buttons to select the item you want to modify, setting page with further setting items displayed shows on the TV screen. Again use navigation buttons to make changes. Press OK button to confirm modifications.
3. Use navigation buttons to switch to another setting on the main setting page.
4. Press SETUP button to exit main setting page.

1. SYSTEM SETUP

1.1 TV SYSTEM - it is used to select the TV mode.

Please select this option as per your TV set.

1.2 SCREEN SAVER - when the player is not in used for several minutes, a running DVD logo will move across the TV screen to protect the TV screen.

Options:

On: Screen saver is enabled

Off: Screen saver is disabled

1.3 TV TYPE - it is used to select the TV scan mode, please set as per your TV set.

Options: **4:3PS** : Normal Pan & scan mode

4:3LB : normal Letter box mode

16:9 : 16:9 wide screen mode

1.4 DEFAULT - Reset to factory settings.

Options: RESTORE

2. LANGUAGE SETUP

2.1 OSD LANGUAGE - It is used to select different On Screen Display language for different user.

2.2 AUDIO LANG - select preferred audio language.

(DVD only, need disc software support)

2.3 SUBTITLE LANG- Select preferred subtitle language.

(DVD only, need disc software support)

2.4 MENU LANG - Select preferred disc menu language.

(DVD only, need disc software support)

3. VIDEO SETUP

3.1 BRIGHTNESS - to set the brightness for the display.

Options: 0/2/4/6/8/10/12

3.2 CONTRAST - to set the contrast effect for display.

Options: 0/2/4/6/8/10/12

3.3 HUE - to set the colour impression for display.

Options: -6/-4/-2/0/+2/+4/+6

3.4 SATURATION - to set the saturation level for display.

Options: 0/2/4/6/8/10/12

4. SPEAKER SETUP

4.1 DOWNMIX

Options: **LT/RT** - Left/Right mix mode

STEREO - Select this option if you don't have a 5.1 channels amplifier.

RADIO OPERATION (AM/FM RADIO)

TO PLAY THE RADIO

1. Press FUNCTION button repeatedly to switch to RADIO mode (At the moment, "RADIO" shows on the small LCD display with the current frequency and band).
2. Press BAND button to select the band you need.
3. Select the desired station by pressing TUNE/DOWN&TUNE/UP button on the remote or PREV/NEXT button on the unit repeatedly until you get the strongest clearest sound.
4. Press and hold the TUNE/DOWN&TUNE/UP button on the remote or PREV/NEXT button on the unit to search backward or forward automatically. Once a available station is searched, the unit will start broadcasting it immediately.
4. The external FM antenna is directional. When receiving an FM broadcast, unfold the FM antenna and place it in the proper position for the best reception.
5. Adjust the volume level to a comfortable listening level.
6. Press standby button to make the unit entered into standby mode.

TO STORE THE RADIO STATION

1. Tune to your favorite station via TUNE/DOWN&TUNE/UP button on the remote or PREV/NEXT button on the unit.
2. Press STORE button on the remote or MODE/EQ/CLOCK/STORE button on the unit.
3. Press M-/ + button to select the stored position.
4. Press STORE button again to save the radio station into the memory.
5. To recall the preset station for broadcasting by pressing PLAY/PAUSE/PRESET button repeatedly on the unit or pressing M-/ + button directly on the remote.

SET TIME

Please set time as the below procedure:

1. Switch the unit into standby mode and then press MODE/EQ/CLOCK/STORE button on the unit or CLOCK button on the remote once.
2. Press NEXT/UP/HOUR or PREV/DOWN/MIN button on the unit or press TUNE/UP or TUNE/DOWN button on the remote to adjust hour and minute respectively.
3. After finish hour and minute adjustment, press MODE/EQ/CLOCK/STORE button on the unit or CLOCK button on the remote to confirm.

ALARM SETTING

The unit is with alarm function, you could set alarm as below steps in standby mode:

1. Press ALARM SET button repeatedly to enter alarm mode and select your desired wake up mode (DVD--when the alarm comes on, the player will be power on and play the disc loaded on the unit previously. Radio--when the alarm comes on, the radio will be powered on. Buzzer--when the alarm comes on, the unit will sound buzzer.). The alarm icon display on the LCD screen with corresponding wake up mode (In buzzer mode, only display the alarm icon).
2. Press NEXT/UP/HOUR button or PREV/DOWN/MIN button on the unit or use TUNE/UP or TUNE/DOWN button on the remote to adjust the hour and minute respectively.
3. Press ALARM SET button to confirm. The display will show the local time with the alarm icon at the moment. To check the alarm time, press ALARM SET button once.
4. Press ALARM SET button repeatedly until the alarm icon disappear to disable the alarm.
5. If the preset alarm is on buzzer mode, when the unit sounds buzzer, press BUZZER button on the remote to shut it off.

SLEEP

Press SLEEP/ALARM/SET button on the unit or SLEEP button on the remote repeatedly to set the sleep time in DVD mode or radio mode. The sleep time changes in a sequence as below:

90 - 80 - 70 - 60 - 50 - 40 - 30 - 20 - 10

When the sleep function is activated, the unit will enter standby mode as the preset sleep time.

AUXILIARY INPUT

Any audio signal can be input through the AUX Input jacks, and this set the function as a power amplifier.

1. Press the FUNCTION button to enter AUX mode.
2. Insert the plugs of the commercially audio line cable which is available in most audio stores into the AUX Input jacks (R & L), and the other small connector into the Line Out jack of signal source (other CD player, recorder etc).
3. Press the PLAY/PAUSE button of the signal source to start playback.
4. Adjust the VOLUME of this set. The VOLUME control of the signal source will not work any more.

DISC HANDLING PRECAUTIONS



- Hold the disc by the edge so the surface will not be soiled with finger prints. Finger prints, dirt and scratches can cause skipping and distortion.



- Do not write on the label side with a ball-point pen or other writing utensils.
- Do not apply benzine, thinner, and liquid that prevents against static electricity.



- Be careful not to drop or bend the disc.
- Install only one disc on the disc tray.



- Do not try to close the disc tray when the disc is not installed properly.
- Be sure to store the disc in its case when not in use.

TROUBLESHOOTING

If your DVD player does not seem to be functioning properly, check the items below before you contact an authorized service center.

Symptom	Check
Power does not turn on or suddenly turns off.	<ul style="list-style-type: none"> • Make sure the AC cord is securely plugged in.
Remote control won't work	<ul style="list-style-type: none"> • Check that the battery is inserted in the "+" and "-" direction properly. • The battery may be flat. Replace it with a new one. • Check that the signal transmission is directed at the remote control sensor on the DVD player. • Remove the obstacle between the remote controller and remote control sensor.
No picture or sound	<ul style="list-style-type: none"> • Check that the A/V cables are securely connected. • Check that the disc is a DVD, DVD-RW or AUDIO CD. • Do not use a disc that has scratches or dirt. • Check that the label-side of the disc is facing up. • The pick-up lens of the DVD player may be dirty. Contact the service center for lens cleaning. • Check that the TV channel is set to VIDEO or AV if viewing with a TV.
No sound	<ul style="list-style-type: none"> • Check the volume setting. If set to zero, turn up volume level. • Check that the headphones are plugged into the PHONES socket. Speakers cannot be used with the headphones.
No picture and sound	<ul style="list-style-type: none"> • Check that the AC cord is properly connected.
Distorted video or sound	<ul style="list-style-type: none"> • Use a disc without scratches or dents.

IMPORTANT SAFETY INSTRUCTIONS

- The apparatus shall not be exposed to dripping or splashing and that no objects filled with liquids, such as vases, shall be placed on the apparatus.
- When the mains plug or an appliance coupler is used as the disconnect device, the disconnect device shall remain readily operable. To be completely disconnected the power input, the mains plug of the apparatus or the appliance coupler shall be disconnected from the mains completely.
- No naked flame sources, such as lighted candles, should be placed on the apparatus.
- Minimum distances 2.0cm around the apparatus for sufficient ventilation. The ventilation should not be impeded by covering the ventilation openings with items, such as newspapers, table-cloths, curtains, etc.
- The use of apparatus is in tropical and/or moderate climates.
- Attention should be drawn to the environmental aspects of battery disposal.
- CAUTION: Danger of explosion if battery is incorrectly replaced. Replace only with the same or equivalent type.
- Battery shall not be exposed to excessive heat such as sunshine, fire or the like.
- Excessive sound pressure from earphones and headphones can cause hearing loss.
- The marking plate is located at the back of the apparatus.